

4

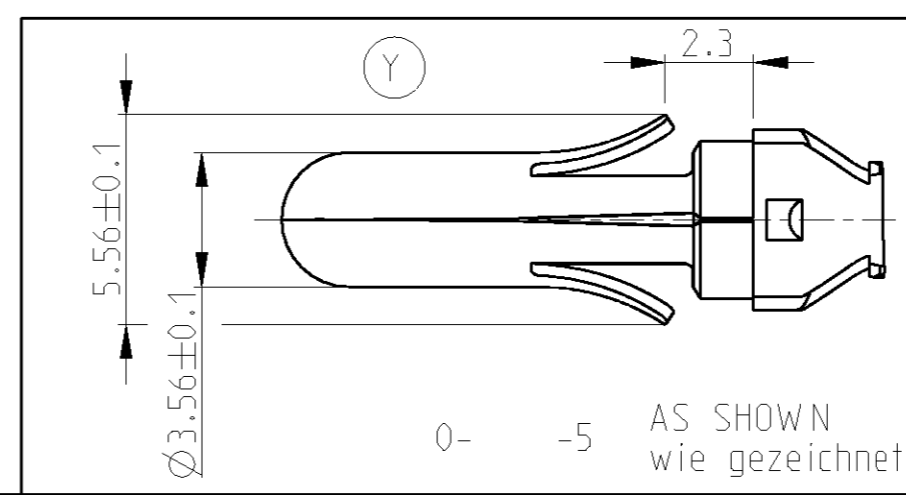
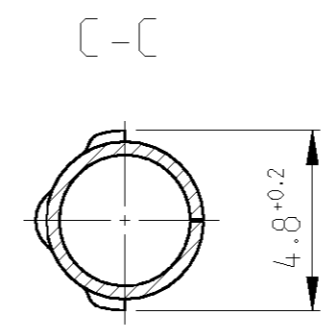
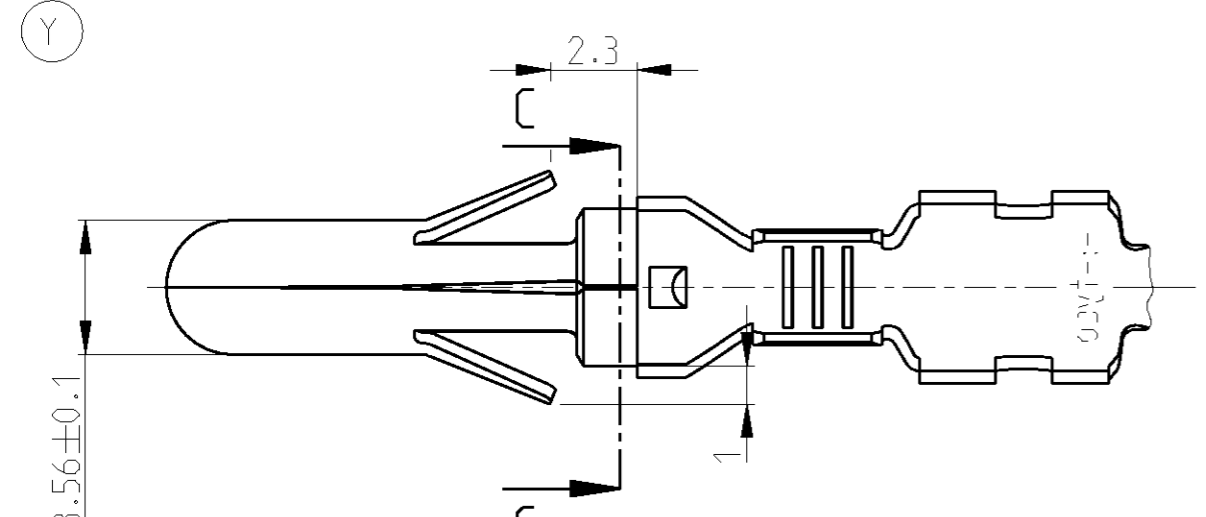
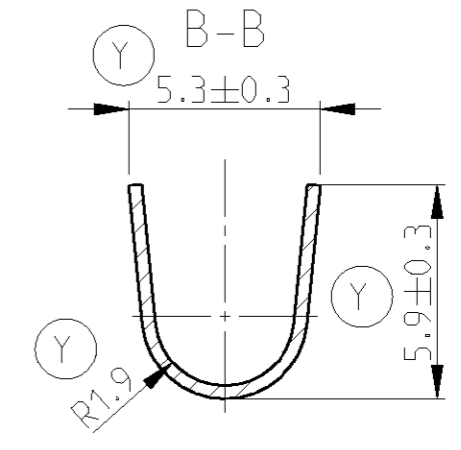
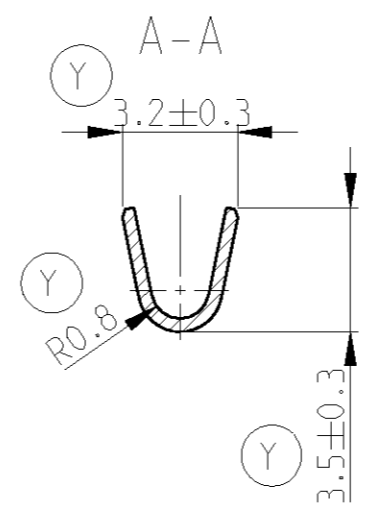
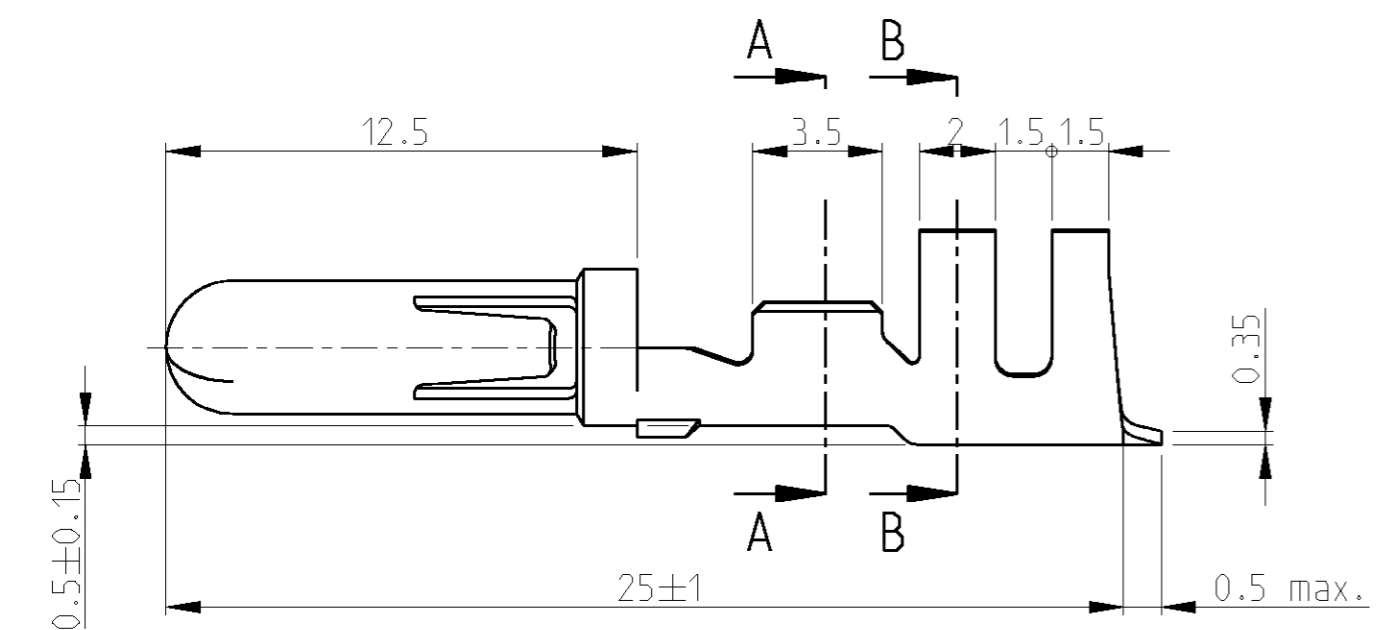
3

2

1

THIS DRAWING IS UNPUBLISHED. RELEASED FOR PUBLICATION
 © COPYRIGHT — BY — ALL RIGHTS RESERVED.

LOC	DIST	REVISIONS					
		P	LTR	DESCRIPTION	DATE	DWN	APVD
GT		Y2		REVISED PER ECO-11-005301	14APR11	RK	HMR



Angeschlagener Leiter: FLK-Leitung
 Leiter: F-Crimp
 Isolation: F-Crimp

Leitungsquerschnitt in mm²
 CROSS-SECTION IN mm²

	SINGLE CONNECTION Einzelanschlag	0.50	0.75	1.00	1.50	2.00	2.50	3.00	4.00	6.00
0.50	x	x	x	x	x					
0.75	x	x	x	x						
1.00	x	x	x	x						
1.50	x	x								
2.00										
2.50										
3.00										
4.00										
6.00										

0- -1,2,3,4,6,7 AS SHOWN wie gezeichnet
 Drahtgrößenbereich: 0.5-2.0 mm²

1 OBSOLETE PARTS: OBSOLETE CIS STREAMLINING PER D.RENAUD/D.SINISI

OBSOLETE	925660-7	925715-7 △	CuZn 30	blank
	925660-6	925715-6 △	CuSn 4	Gold üb. Ni.
	925660-5	925715-5	St4K50	vorverzinkt
	925660-4	925715-4	CuSn 4	blank
	925660-3	925715-3	CuSn 4	versilber
	925660-2	925715-2	CuSn 4	vorverzinkt
	925660-1	925715-1	CuZn 30	vorverzinkt
Bestell.-Nr. für Einzelausführung Crimp vorgeformt	BESTELL-NR.	WERSTOFF	OBERFLÄCHE	

DIMENSIONS: mm	TOLERANCES UNLESS OTHERWISE SPECIFIED:	DWN J.SKODA 22JUL2005
	0 PLC ±0.2	CHK R.VLCEK 19AUG2005
	1 PLC ±0.2	APVD M.BIFICHER 26AUG2005
	2 PLC ±0.2	PRODUCT SPEC 108-1032
	3 PLC ±	APPLICATION SPEC 114-1007
	4 PLC ±	WEIGHT -
	ANGLES ±°	
MATERIAL SEE TABLE	FINISH SEE TABLE	

STE TE Connectivity			
NAME: Ø 3.5 PIN, Ø 3.5 Stift			
SIZE: A3	CAGE CODE: 00779	DRAWING NO: C=925715	RESTRICTED TO: -
CUSTOMER DRAWING / KUNDENZEICHNUNG		SCALE: 5:1	SHEET 1 OF 1 REV Y2